

# Vertical Mirror Mount v2

DT-VMMv2



Vertical Mirror Mount v2

## **VERTICAL MIRROR MOUNT V2 [DT-VMMV2] - ON WALL PROJECTOR MIRROR MOUNT.**

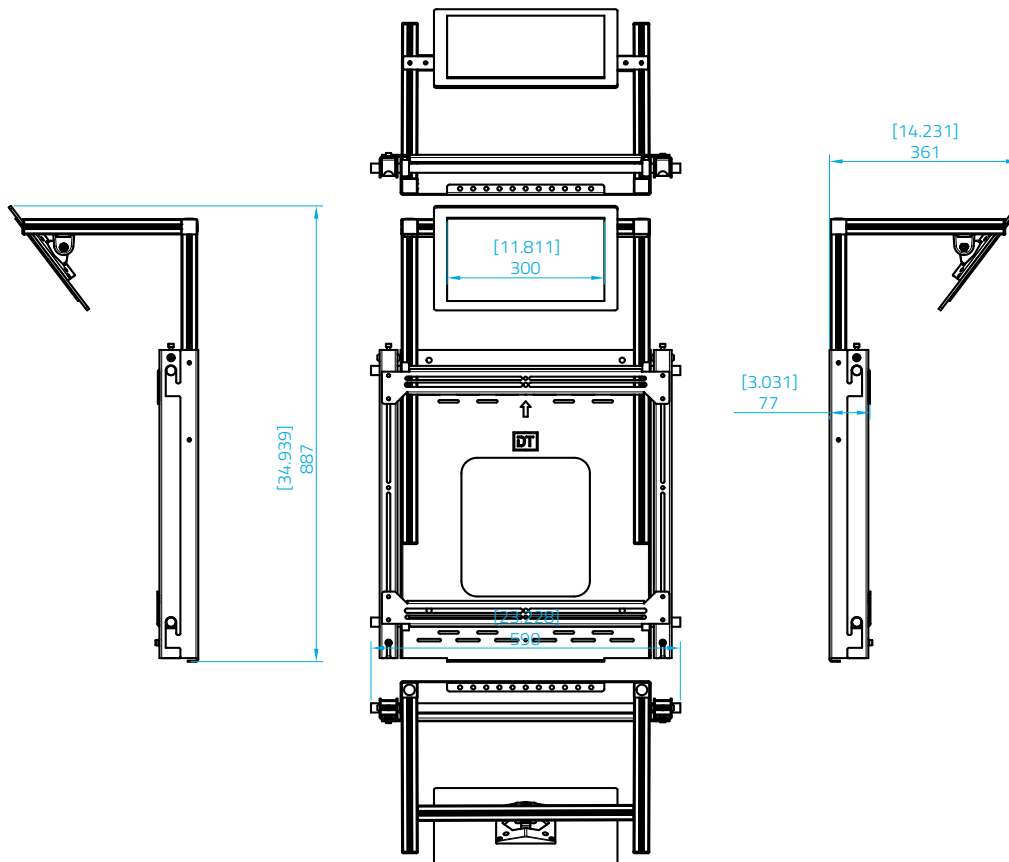
DT Vertical Mirror Mount v2 is an on wall projector mirror mount featuring high performance optical mirrors, universal projector interface and flexible configuration to handle all install scenarios.



The Vertical Mirror Mount V2 features high performance optical mirrors which have a reflectivity of over 97% and which preserve optical performance without impacting colour or contrast.

The universal projector interface allows the VMM-V2 to be used with the vast majority of projectors up to a maximum weight of 50kg.

The VMM-V2 can be quickly configured on site for all combinations of lens up or down and feet facing or away from the projector and so this single product covers all vertical mounting scenarios.



Vertical Mirror Mount v2 - technical drawing

**Display Technologies** is a British brand specialising in advanced projector screens, mounting brackets and custom installation solutions. Their focus on the combination of technical performance and design for install, ensure that all DT products meet the needs of both the client and installer.

