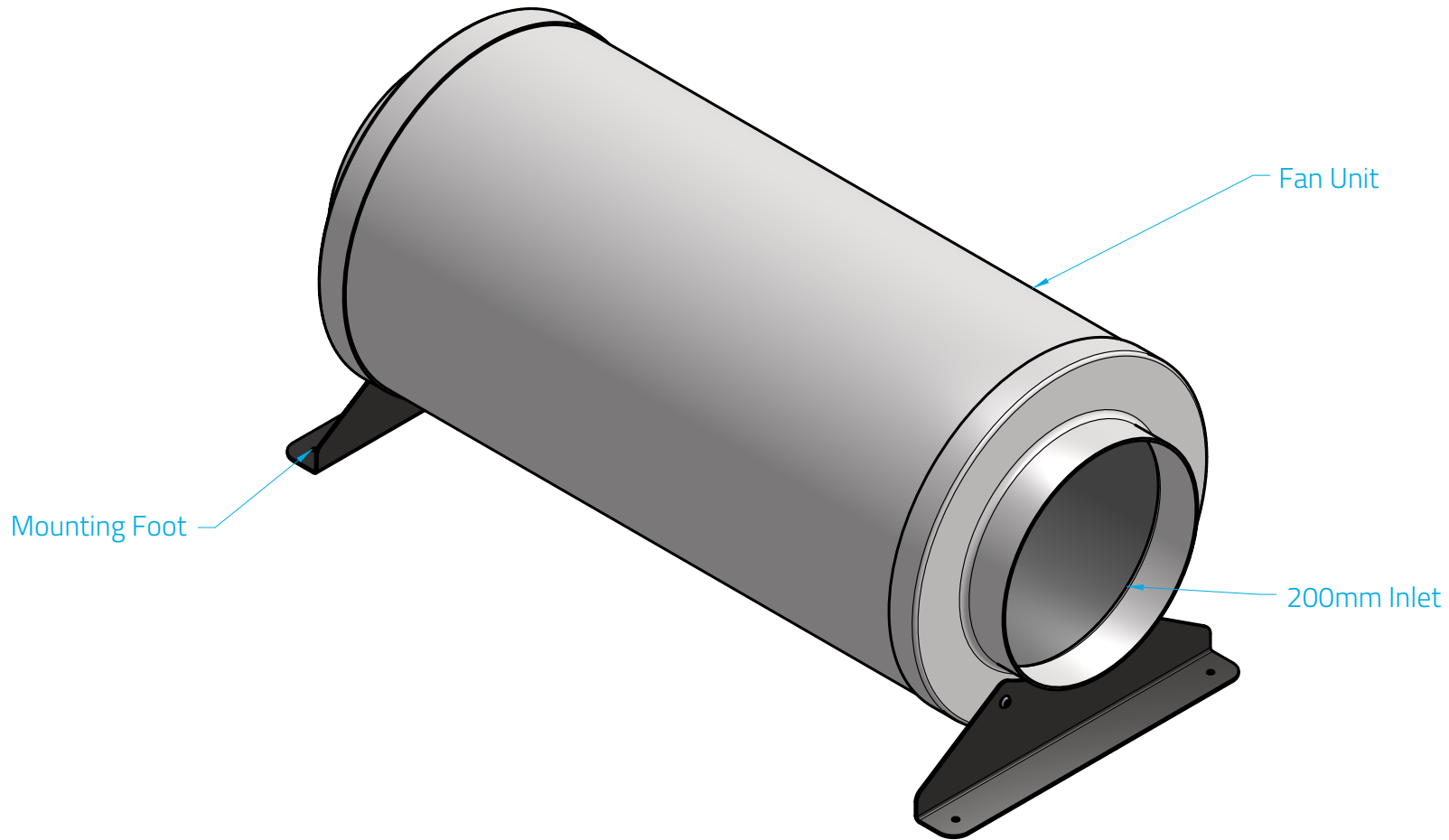


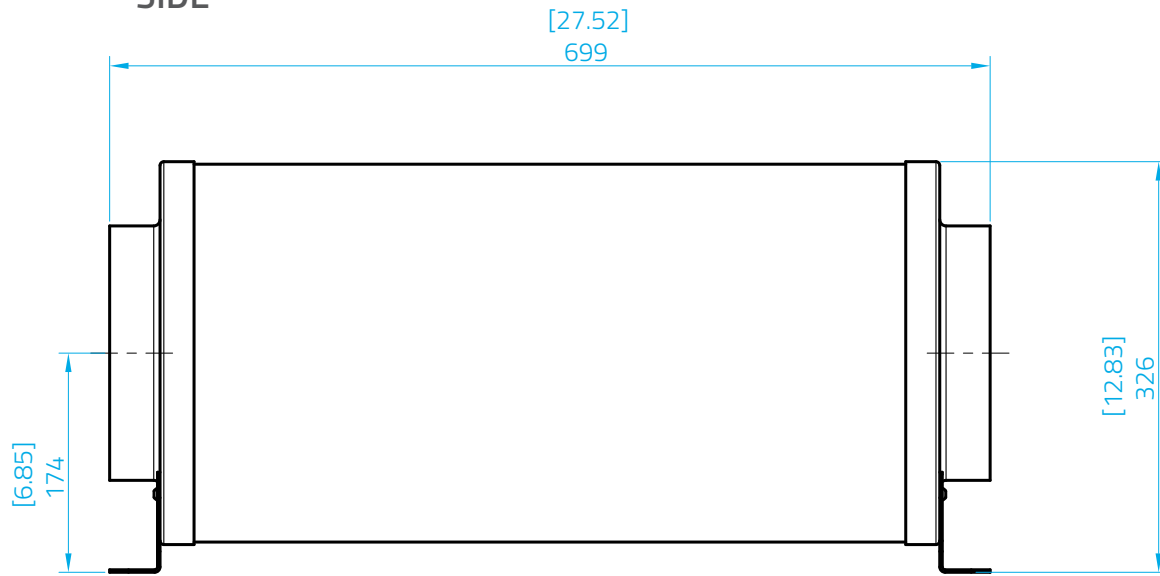


# MISTRAL-INLINE-200

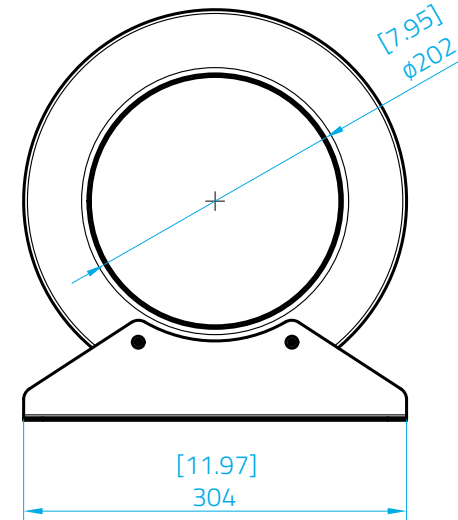


	NAME	SIGNATURE	DATE	TITLE		
DRAWN	SIMON RIDLEY	SR	2020-04-15	DT-MISTRAL-INLINE-200 AIR HANDLING UNIT 200MM [8"]		
APPROVED				SIZE	DWG NO.	REV
				A4	MISTRAL-INLINE-200 /1	1.1
UNLESS OTHERWISE SPECIFIED, DIMENSIONS ARE IN MILLIMETERS				SCALE	WEIGHT	SHEET
				1:5	7.5kg	1 of 3

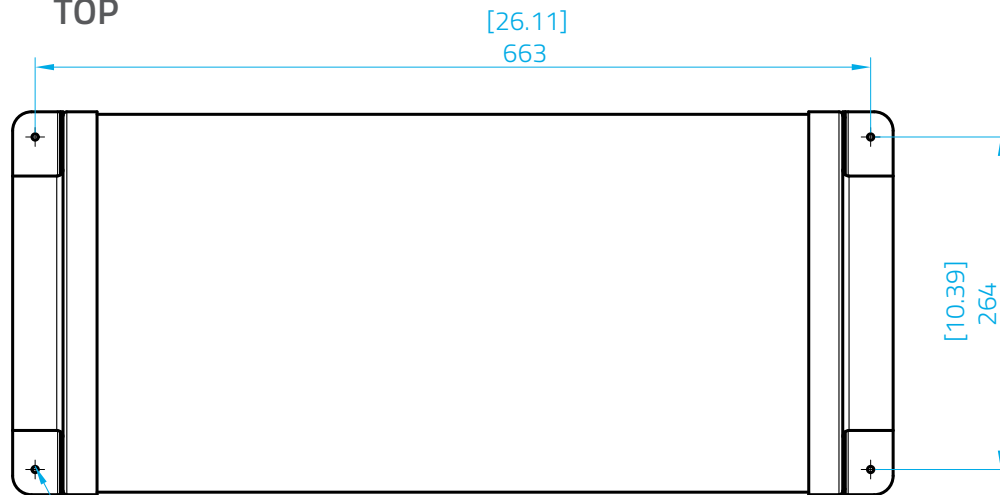
SIDE



END



TOP



Mounting Hole

## SPECIFICATION

Airflow	1205 M <sup>3</sup> /h [750 CFM]
Inlet Size	200mm [8"]
Outlet Size	200mm [8"]
Power	230v AC / 120V AC (model specific)
Power Consumption	75W
	IEC Cable supplied. Mains power outlet required.
Noise Level	51 dBA (max at full speed)
Nett Weight	7.5kg [16.56lbs]
Control	Fan speed Control via DT-Commander. (Proprietary link cable supplied)

## NOTES

Supplied with:

- 2 x 3m 200mm acoustic flexible duct
- 2 x 200mm Hose Clips
- IEC Power Cable