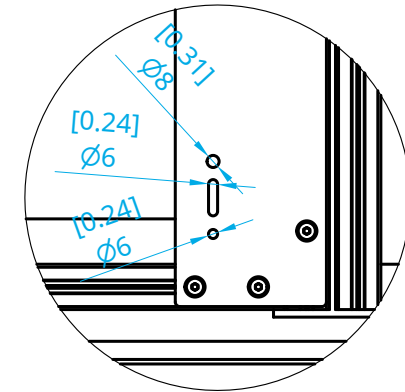
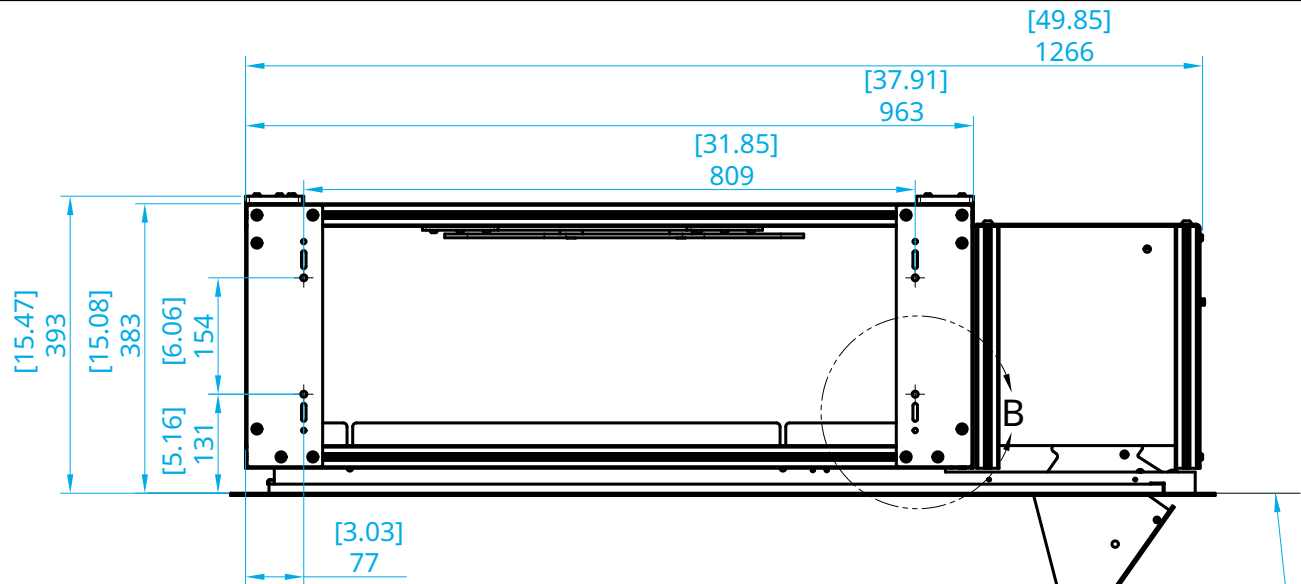
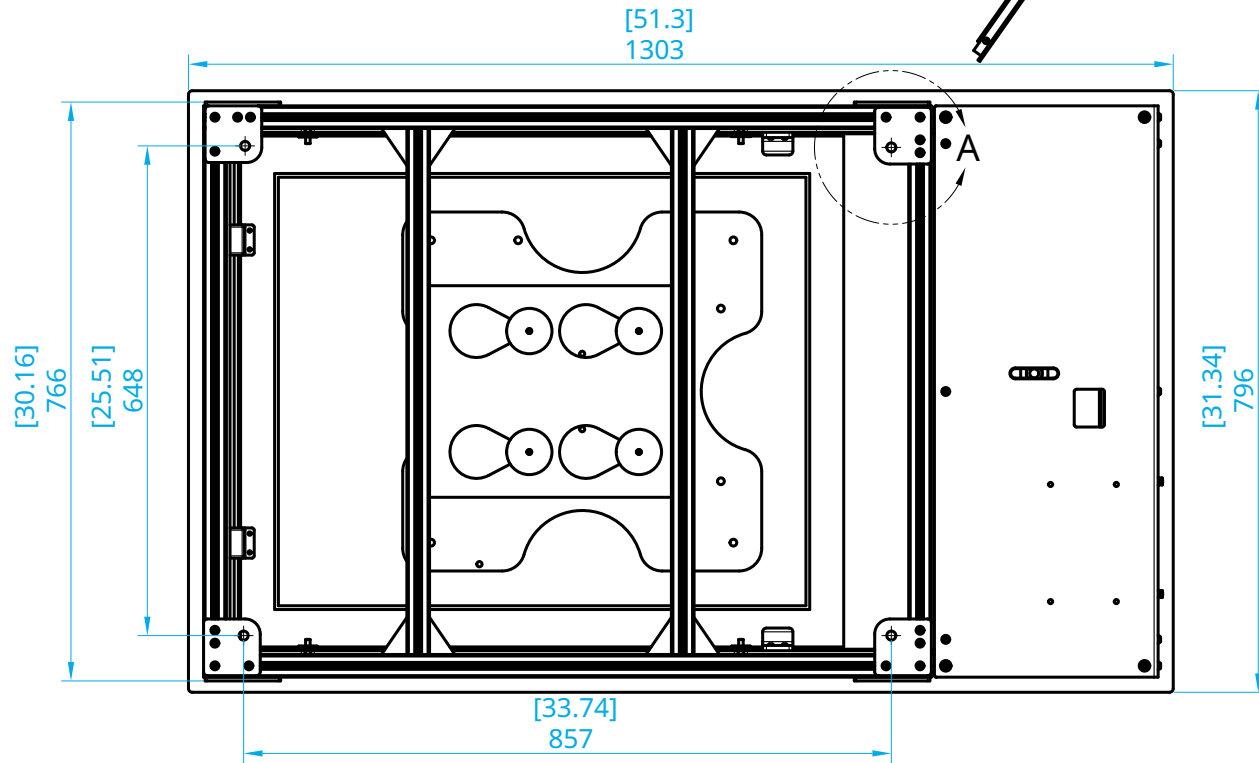


	NAME	SIGNATURE	DATE	TITLE		
DRAWN	SIMON RIDLEY		2019-07-03	MMDV2 MOTORISED MIRROR DROP		
APPROVED				SIZE	DWG NO.	REV.
				A4	MMDV2/1	2.0
UNLESS OTHERWISE SPECIFIED, DIMENSIONS ARE IN MILLIMETERS				SCALE	WEIGHT	SHEET
				1:10	~45kg	1 of 5

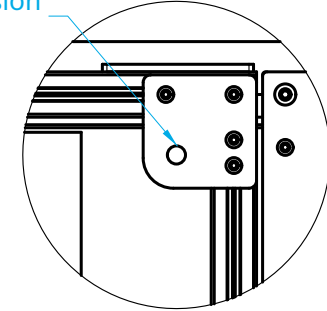


B  
1:5

Finish Ceiling Level



M12 Suspension Point

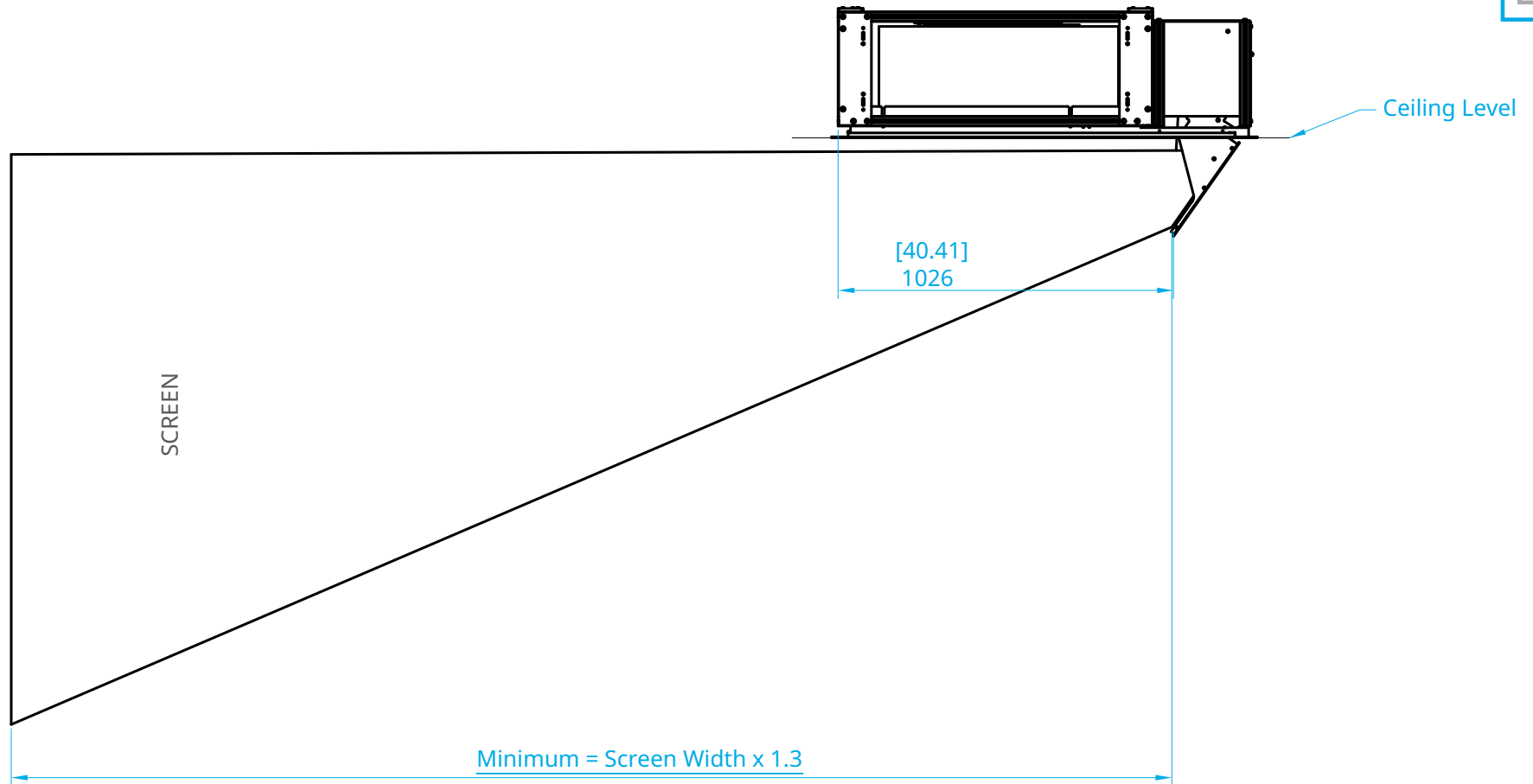


A  
1:5

Note - Fixings

Fixing can be either through all for side fixing plates into wooden joists or via the suspension plates on the top using the M12 holes. When not in use the top suspension plates may be removed to allow a reduction in height. It is the installers responsibility to ensure that adequate fixings are used to hold both the weight of the MMDv2 and the projector going into it.

DWG NO.	MMDV2/2	SIZE	A4	SCALE	1:10	SHEET	2 of 5	REV.	2.0
---------	---------	------	----	-------	------	-------	--------	------	-----



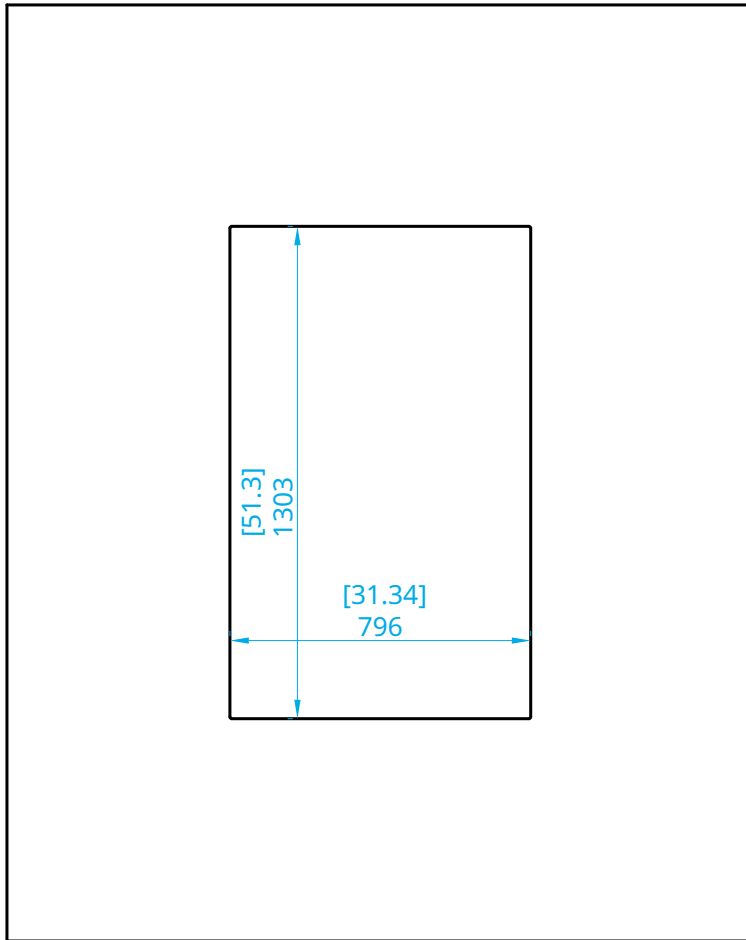
Note - Supported Projection Distance

The minimum projection distance is 1.3 x screen width +440mm supported throw for the MMDv2 is 1.3. This is calculated from the front of the mirror as detailed.

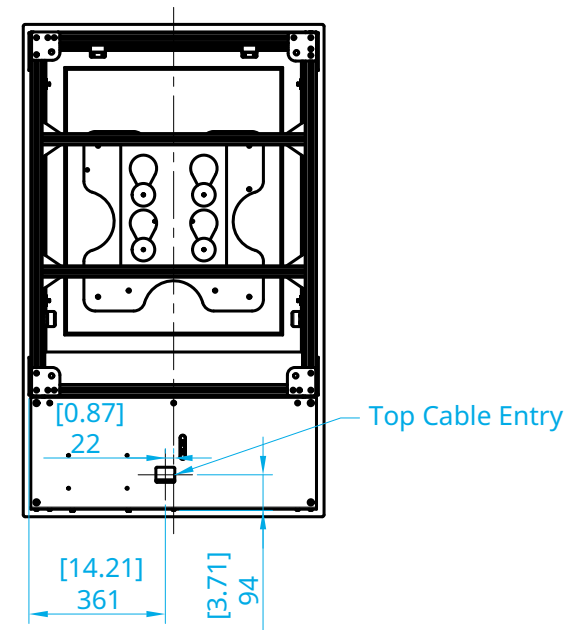
When calculating lenses it is important to remember that the MMDv2 adds ~440mm to the light path.

A large amount of vertical offset above the screen height will require digital keystone correction.

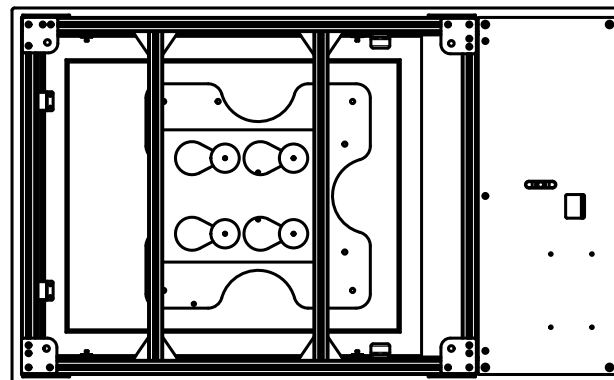
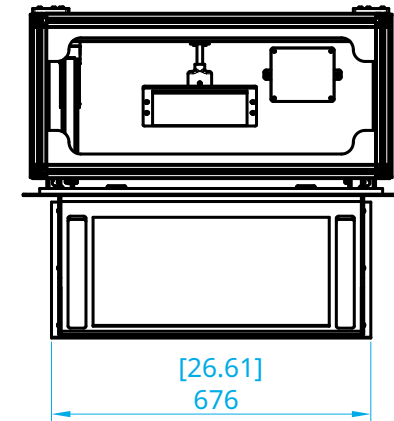
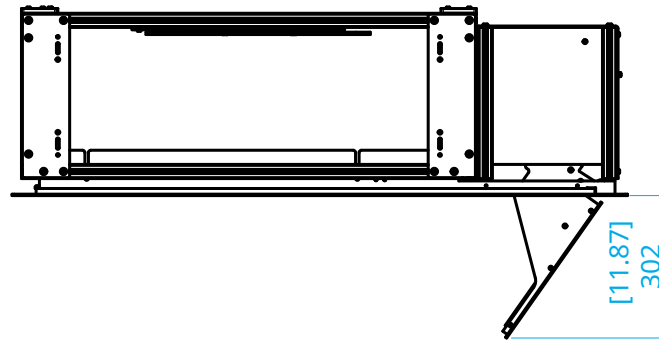
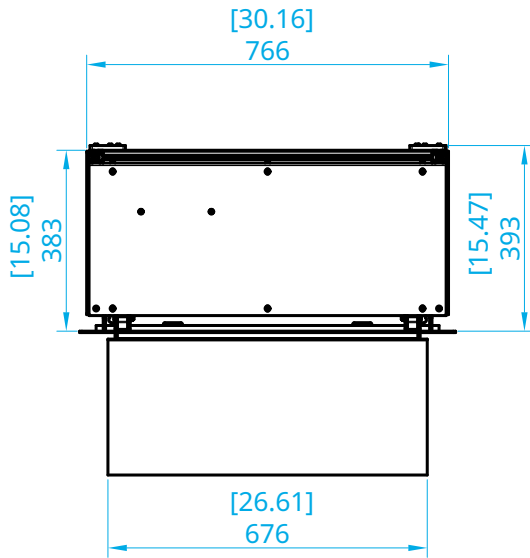
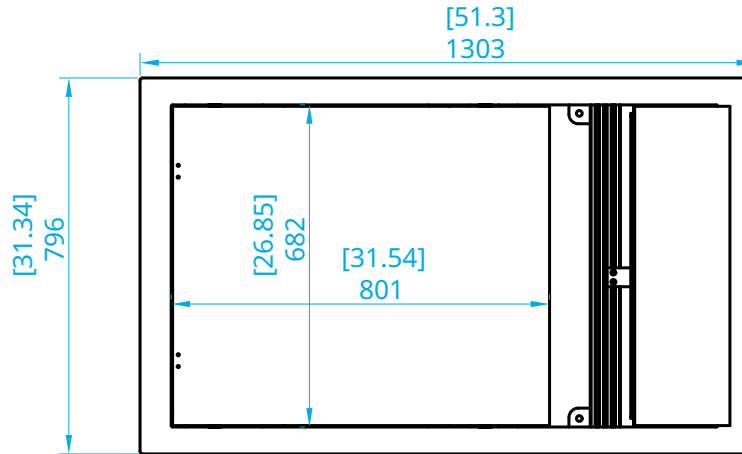
### CEILING CUTOUT



### WIRING DETAILS



Power	Mains IEC 110v -240v AC 50hz/60hz								
Control	IP or volt free contact closure								
DWG NO.	MMDV2/4	SIZE	A4	SCALE	1:20	SHEET	4 of 5	REV.	2.0



Base (room side)  
Finish

White Powder Coat. (Other RAL  
Finish on request)

DWG NO.	MMDV2/5	SIZE	A4	SCALE	1:16	SHEET	5 of 5	REV.	2.0
---------	---------	------	----	-------	------	-------	--------	------	-----