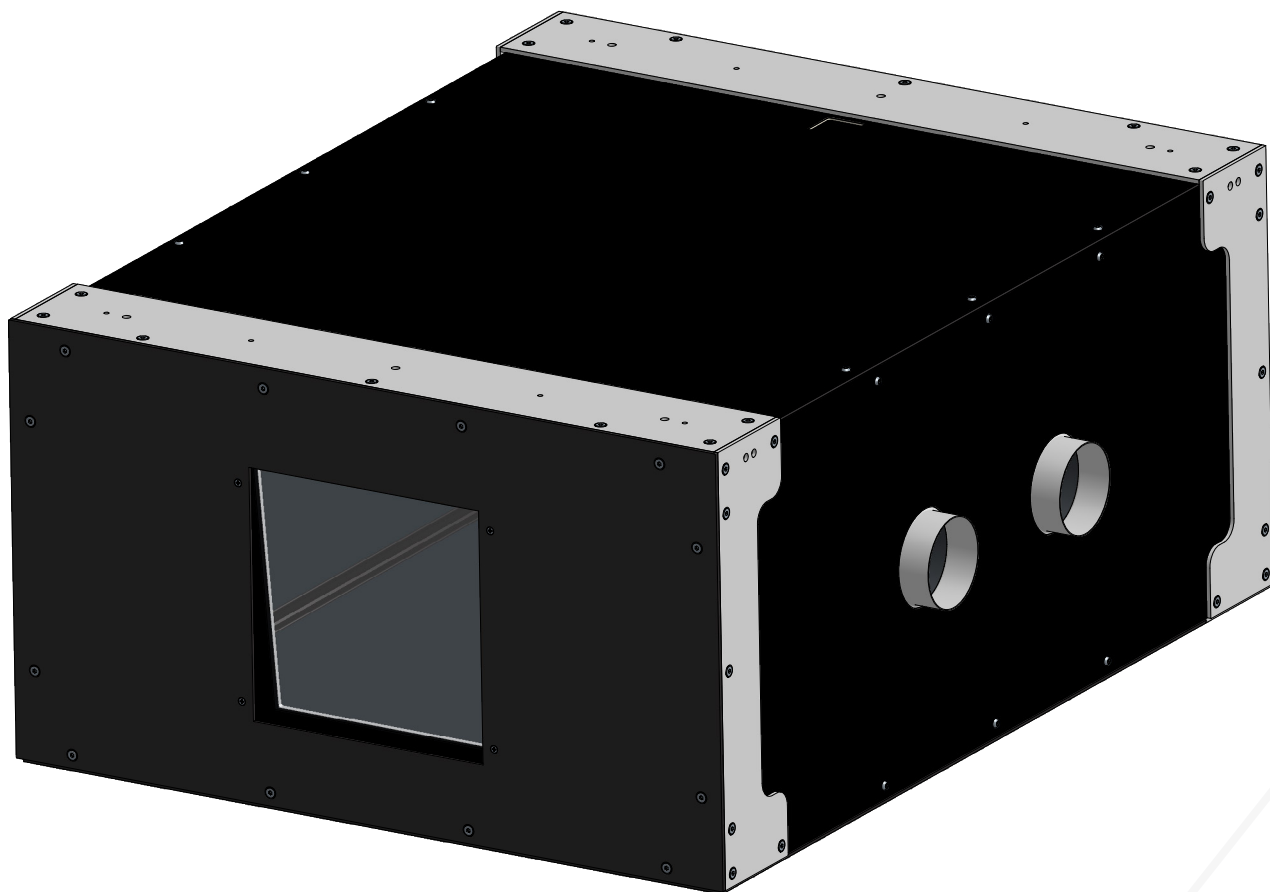


Hush Box Medium

DT-HB-M



Hush Box Medium

HUSH BOX MEDIUM [DT-HB-M] – HUSH BOX SOLUTION FOR PROJECTORS UP TO
750 X 600 X 300 MM

DT Hush Box – Medium is a hush box solution for projectors up to 750 x 600 x 300 mm featuring integrated projector mount, thermostatically controlled inlet and outlet fans and effective noise dampening.



The Hush Box – Medium

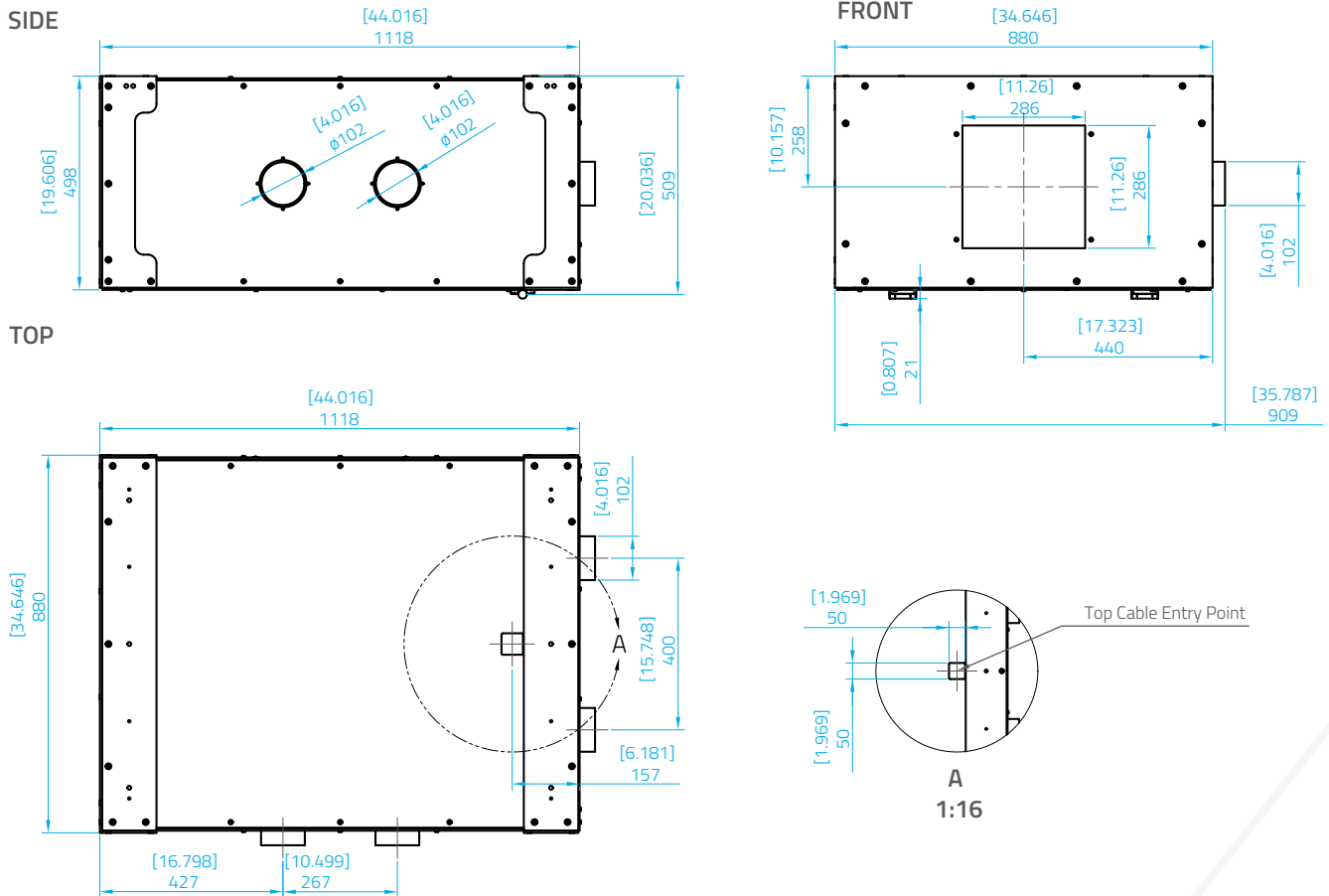
is customised to the requirements of the specified projector including internal mounting brackets that securely lock the projector within the enclosure.

The HB-M is designed to deliver

the required airflow to maintain the projector at the required temperature. As this is dependent on both projector and ambient conditions, high quality thermostatic fans are used on both inlet and outlet sides of the enclosure.

The HB-M is designed to provide

effective noise dampening of the enclosed projector including highly convoluted air inlet and outlet paths for maximum sound absorption.



Hush Box Medium with Side Ports - technical drawing

Display Technologies is a British brand specialising in advanced projector screens, mounting brackets and custom installation solutions. Their focus on the combination of technical performance and design for install, ensure that all DT products meet the needs of both the client and installer.

