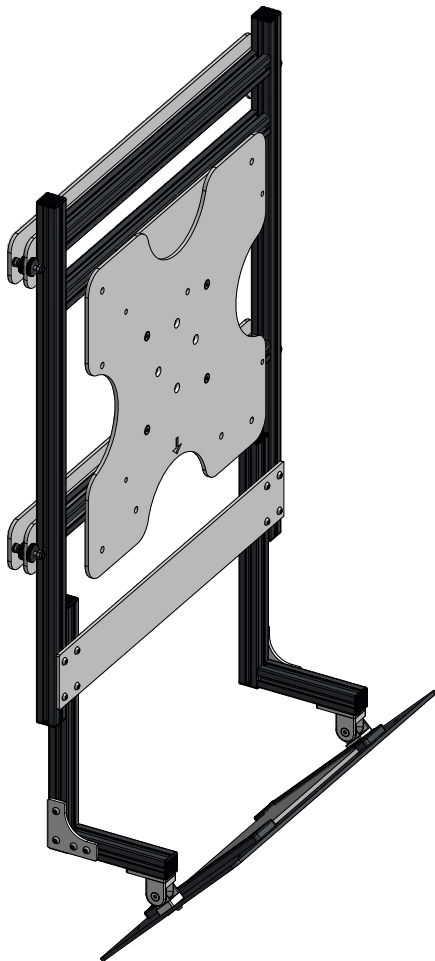


Vertical Mirror Mount Reverse Down

DT-VMM-RE-DWN



Vertical Mirror Mount Reverse Down - Front Side view



Vertical Mirror Mount Reverse Down - Rear Side view

VERTICAL MIRROR MOUNT REVERSE DOWN [DT-VMM-RE-DWN] - ON WALL PROJECTOR MIRROR MOUNT FOR LENS POINTING DOWN AND PROJECTOR BASE FACING TOWARDS THE SCREEN

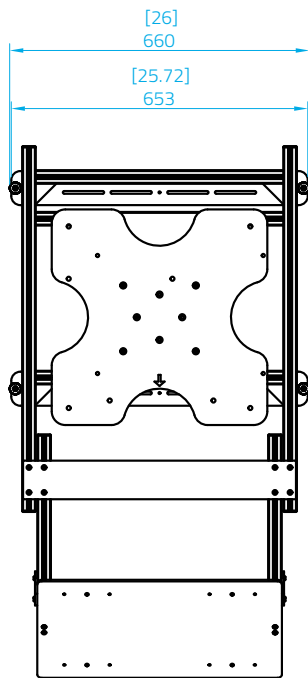
DT Vertical Mirror Mount Reverse Down is an on wall projector mirror mount featuring high performance optical mirrors, custom projector interface and flexible alignment adjustment. It is intended for applications with the projector lens pointing down and the base of the projector pointing towards the screen.

The Vertical Mirror Mount Reverse Down features high performance optical mirrors which have a reflectivity of over 97% and perfect flat optical mirrors which preserve optical performance without impacting colour or contrast.

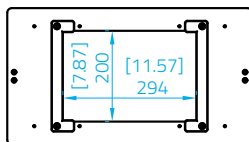
The custom projector interface is a result of the in house fabrication capabilities of DT Mounts and enables the projector to be fixed directly to the VMM-RE-DWN quickly, easily and accurately straight out of the box.

The flexible alignment adjustment makes it straightforward to align the VMM-RE-DWN with the projector screen. Four corner adjustment allows correction for pitch and rotation and slide mounts enable accurate centre line alignment.

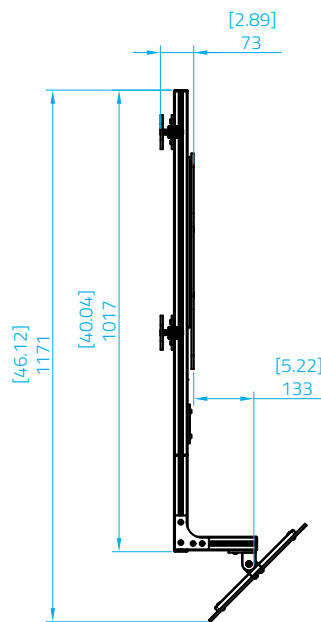
FRONT



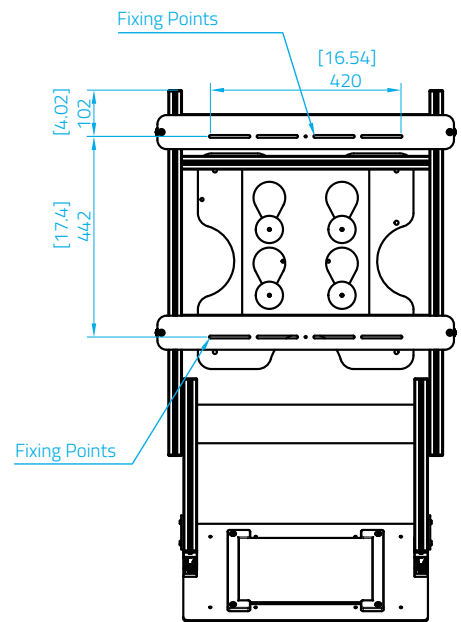
MIRROR



SIDE



REAR



Example Technical Drawing of VMM-RE-DWN. All Mounts are custom made for the projector

Display Technologies is a British brand specialising in advanced projector screens, mounting brackets and custom installation solutions. Their focus on the combination of technical performance and design for install, ensure that all DT products meet the needs of both the client and installer.

