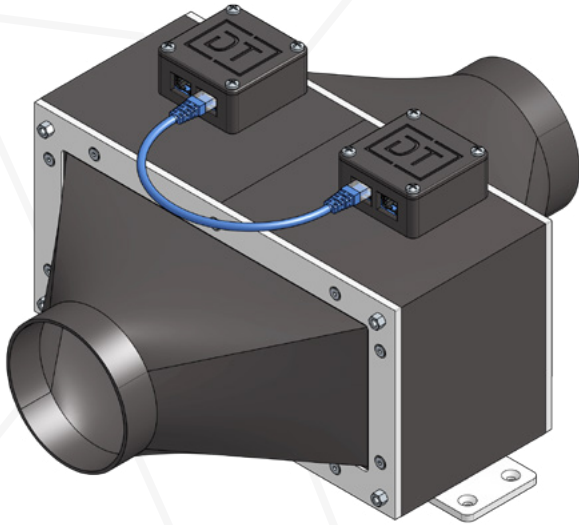


MISTRAL 2

DT-M-2



DT Mistral 2 is a dual module air movement unit capable of moving up to 500 m³/hr with optimised static pressure and low noise. It can be easily daisy chained so one Mistral Commander can control multiple units.

DISPLAY TECHNOLOGIES

Display Technologies is a British brand specialising in advanced projector screens, mounting brackets and custom installation solutions. Their focus on the combination of technical performance and design for install, ensure that all DT products meet the needs of both the client and installer.

**MADE IN
BRITAIN** 



Display Technologies Ltd
272 Bath Street, Glasgow, UK

www.displaytechnologies.co.uk
info@displaytechnologies.co.uk



DTScreens



DT_Screens



display-technologies-ltd



dtscreens