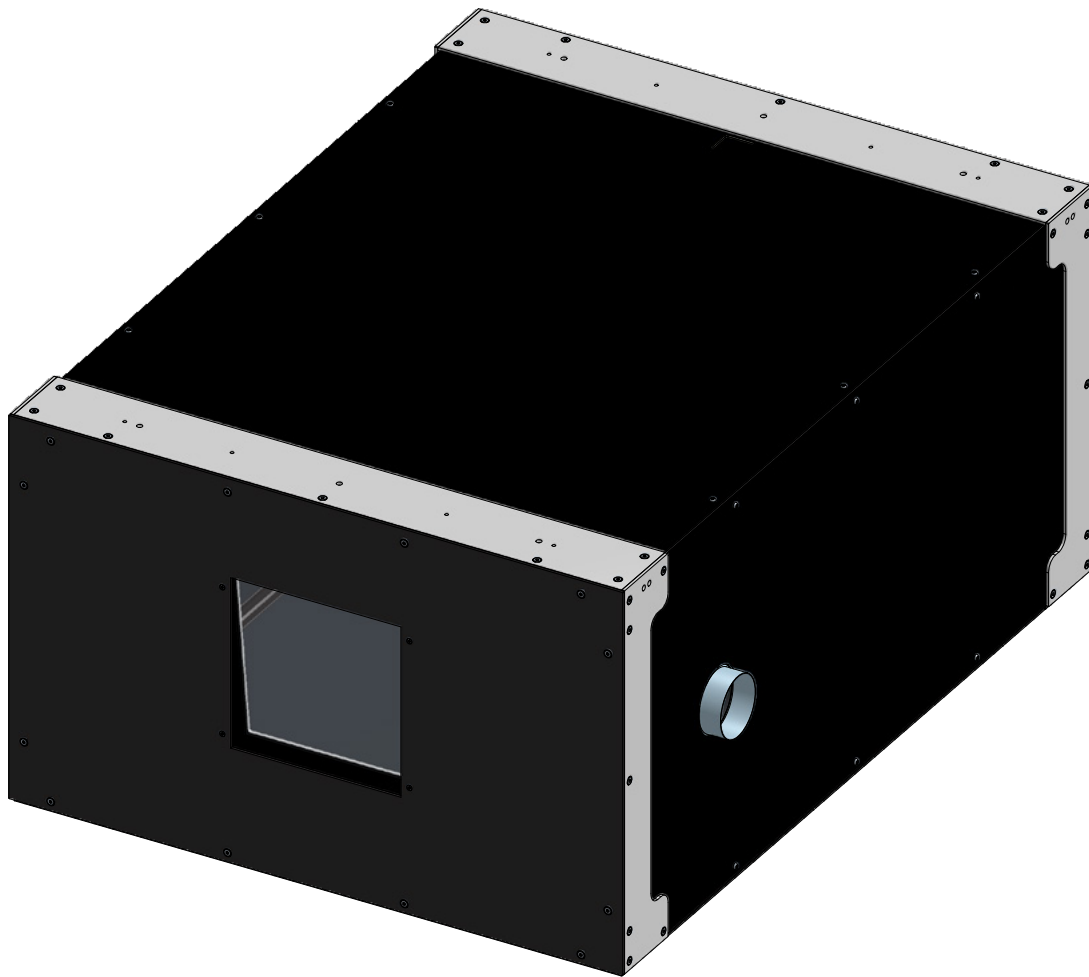


Hush Box Large

DT-HB-L



Hush Box Large

HUSH BOX LARGE [DT-HB-L] – HUSH BOX SOLUTION FOR PROJECTORS UP TO 1100 X 750 X 500 MM

DT Hush Box – Large is a hush box solution for projectors up to 1100 x 750 x 500 mm featuring integrated projector mount, effective noise dampening and simple interface to the DT Mistral air movement system.

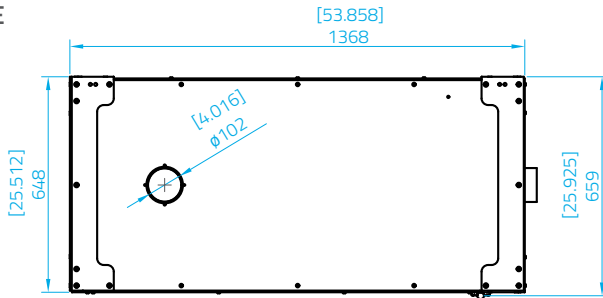


The Hush Box – Large is customised to the requirements of the specified projector including internal mounting brackets that securely locate the projector within the enclosure and enable a wide range of adjustments.

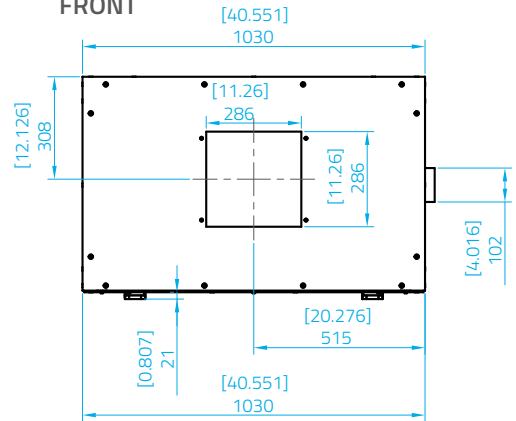
The HB-L is designed to provide effective noise dampening of the enclosed projector including highly convoluted air inlet and outlet paths for maximum sound absorption.

The HB-L is designed to be used with the appropriate DT-Mistral air movement units to ensure the correct airflow is delivered for safe long term operation.

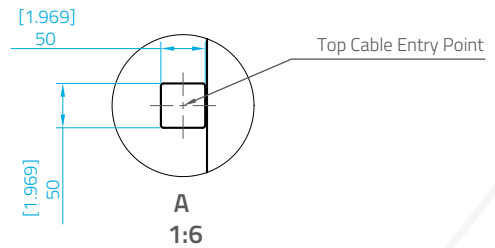
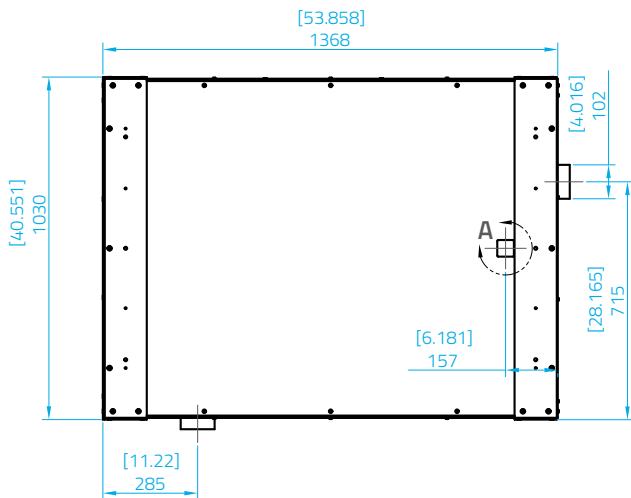
SIDE



FRONT



TOP



Hush Box Large with Side Ports for Athena projector model - technical drawing

Display Technologies is a British brand specialising in advanced projector screens, mounting brackets and custom installation solutions. Their focus on the combination of technical performance and design for install, ensure that all DT products meet the needs of both the client and installer.

