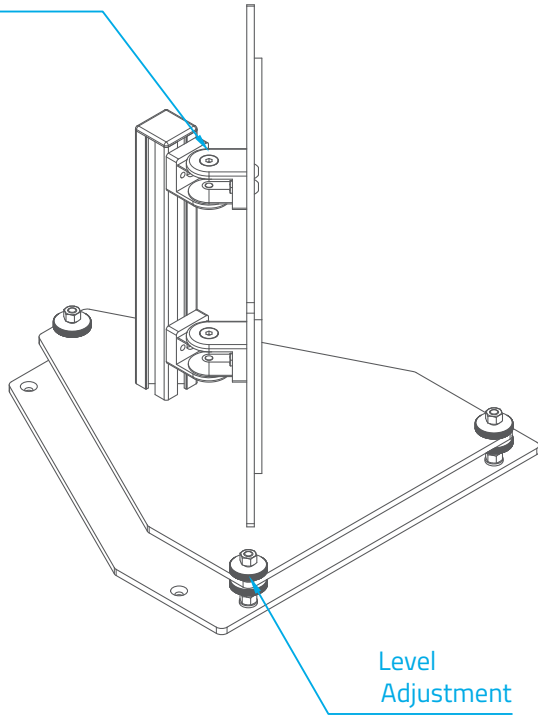
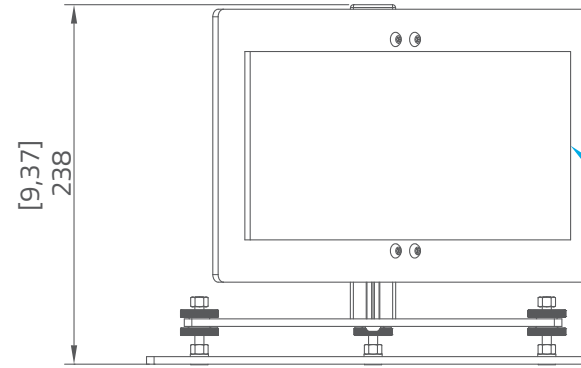


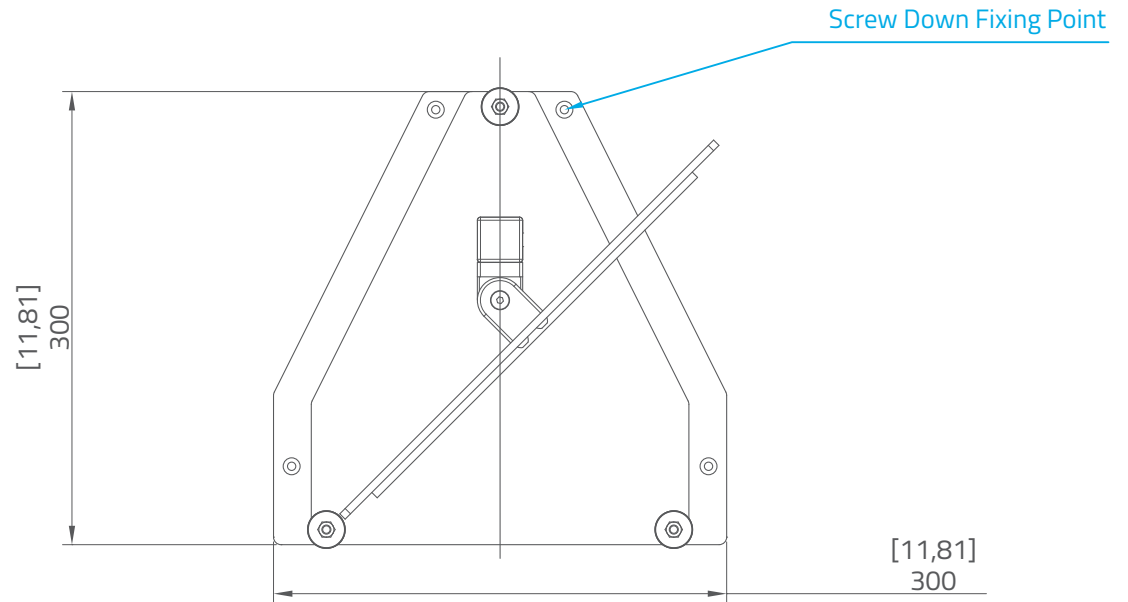
Angle Adjustment






Level Adjustment



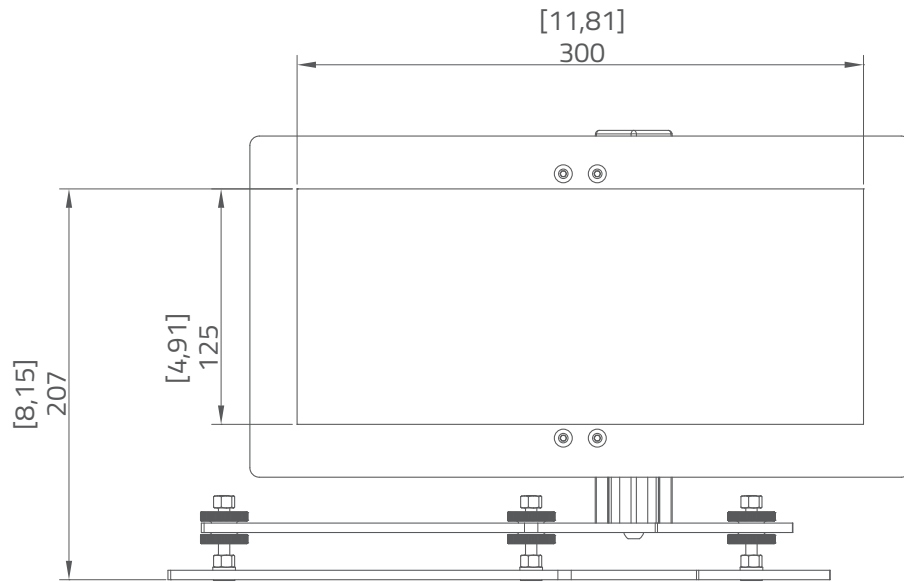
Optical Front Surface Mirror



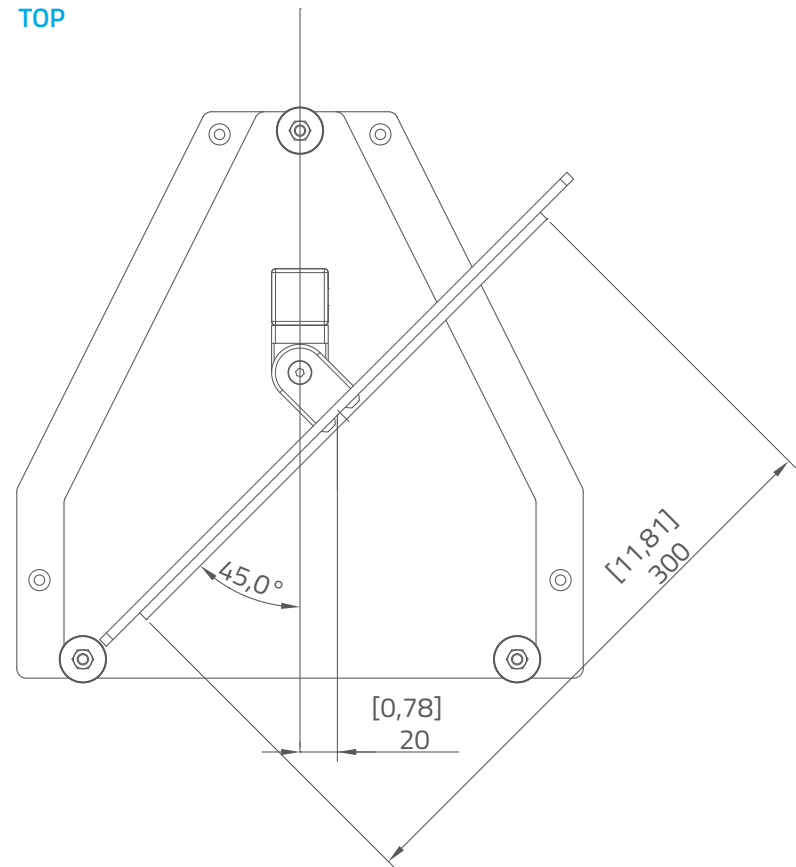
Screw Down Fixing Point

UNLESS OTHERWISE SPECIFIED, DIMENSIONS ARE IN MILLIMETERS ANGULAR = ± ° SURFACE FINISH  DO NOT SCALE DRAWING BREAK ALL SHARP EDGES AND REMOVE BURRS FIRST ANGLE PROJECTION 	NAME	SIGNATURE	DATE		
	DRAWN	SIMON RIDLEY	2018-11-27		
	CHECKED			TITLE DT-SM Side Mirror Left or Right	
	APPROVED	----	----		
MATERIAL	FINISH		SIZE	DWG NO.	REV.
Aluminium			A4	DT-S-M-1	-
			SCALE	WEIGHT	SHEET
			1:5	3.5kg [7.72lbs]	1 of 2

VIEWED PERPENDICULAR TO MIRROR



TOP



NOTE:

Side Mirror Mount - can be angled left or right.
Dimensions are symmetrical