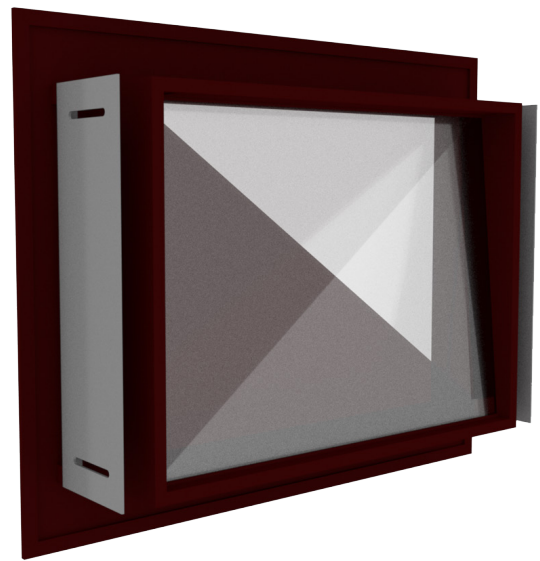


Port Hole Glass 2

DT-PHG-2



Port Hole Glass 2 - Front view



Port Hole Glass 2 - Rear view

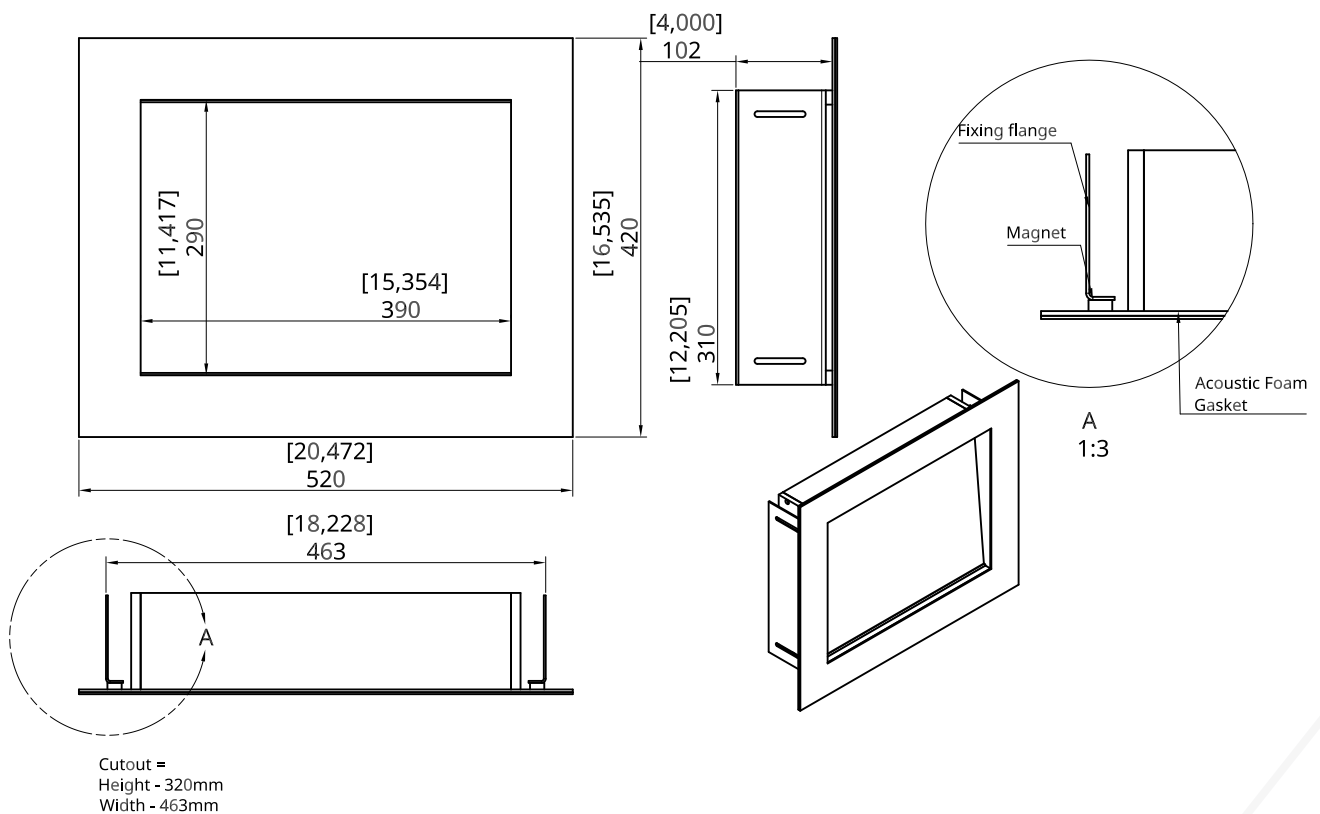
PORT HOLE GLASS 2 [DT-PHG-2] – DOUBLE GLAZED PROJECTOR PORTHOLE WITH MAGNETIC MOUNTING INTERFACE

DT Mounts Porthole Glass 2 is a double glazed projector porthole featuring high performance dual anti reflection coated glass, magnetic mounting interface and RAL colour finish options.

Porthole Glass 2 features dual sheets of high performance optical glass which have been anti reflective coated on both faces to deliver light transmission of over 95% without impacting colour or contrast.

The PHG-2 is a sealed unit which is mounted magnetically to steel brackets that are fixed to the projector opening. This allows the PHG-2 to be easily removed for cleaning or to provide service access to the projector. This also enables the PHG-2 to be easily adjusted for perfect alignment with the finished lines within the room itself.

PHG-2 is supplied as standard in a black paint finish but can be specified in specific RAL colours to enable the best possible match with the room decor.



Example Drawing of Port Hole Glass 2

DT Mounts is a division of Display Technologies, a British company specialising in advanced projector screens, mounting brackets and custom installation solutions. Our focus on the combination of technical performance and design for install, ensure that all DT Mounts meet the needs of both the client and the installer.

