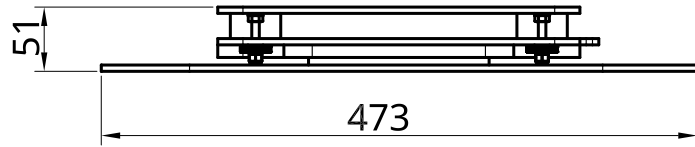
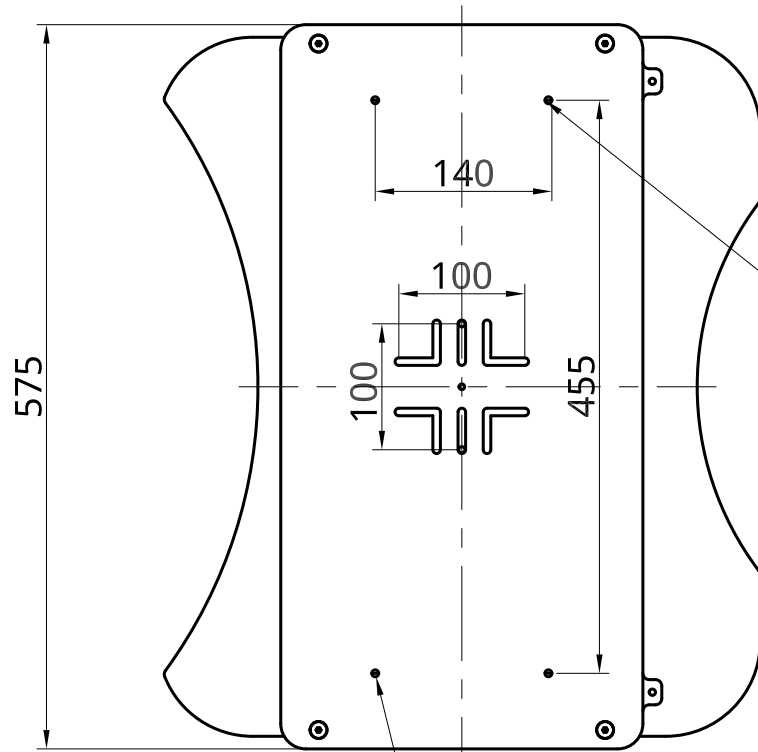
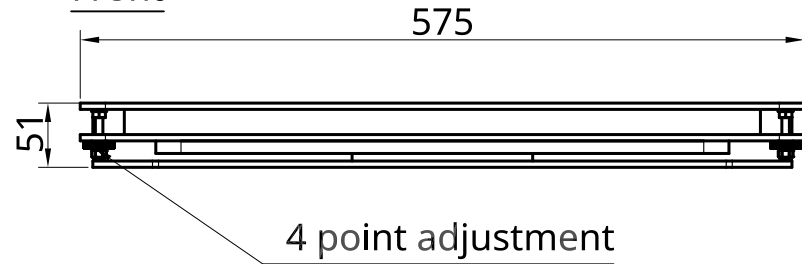


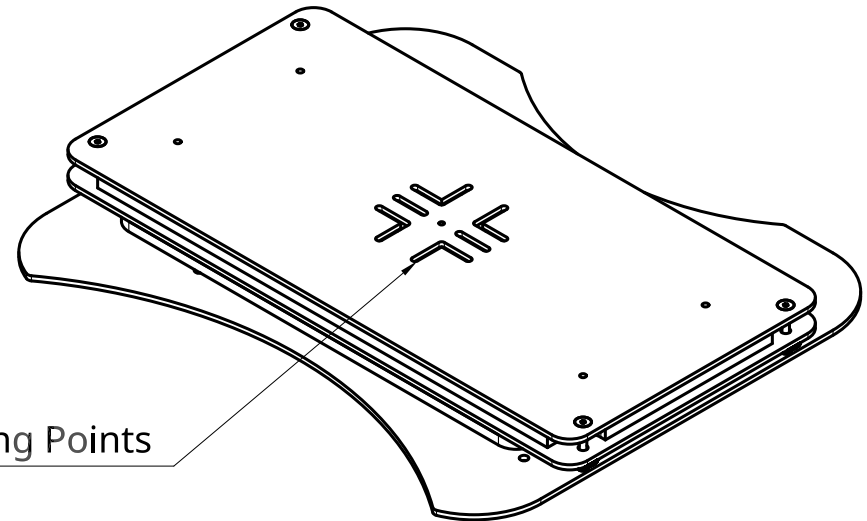
Side



Front



Fixing Points



Fixing Points

Top

Ø5,5 THRU

UNLESS OTHERWISE SPECIFIED, DIMENSIONS ARE IN MILLIMETERS  ANGULAR = ± °  SURFACE FINISH  DO NOT SCALE DRAWING  BREAK ALL SHARP EDGES AND REMOVE BURRS  FIRST ANGLE PROJECTION  	NAME	SIGNATURE	DATE		
	DRAWN	Simon Ridley	2017-11-20		
	CHECKED				<b>ACM</b> <b>Loki - Barco</b> <b>Adjustable Ceiling Mount</b>
	APPROVED				
MATERIAL	FINISH		SIZE	DWG NO.	REV.
ALuminium	Bead Blast Natural Aluminium		A4	----	-
SCALE		WEIGHT		SHEET	
1:6				1 of 1	