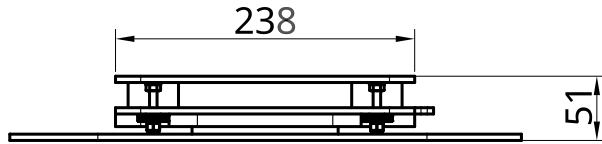
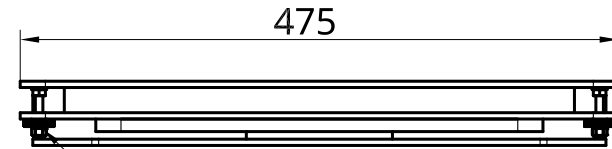


Side

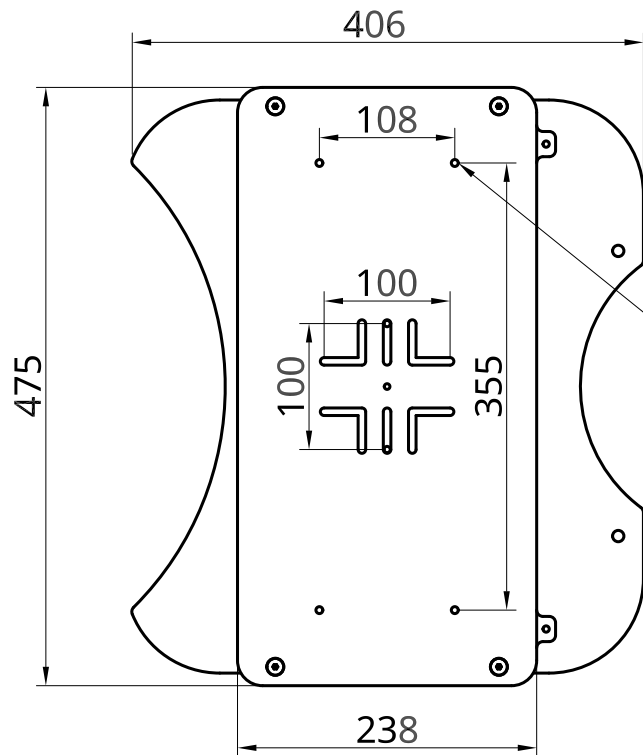


Front

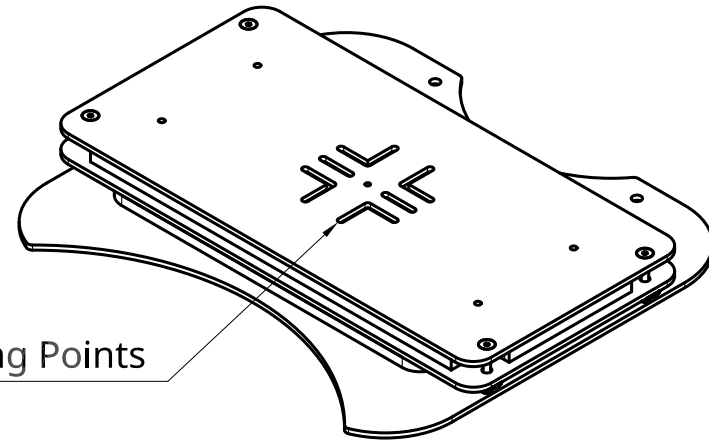


4 Point Adjustmant

Top



Fixing Points



Fixing Points

Top

UNLESS OTHERWISE SPECIFIED, DIMENSIONS ARE IN MILLIMETERS ANGULAR = ± ° SURFACE FINISH	NAME	SIGNATURE	DATE		
	DRAWN	Simon Ridley	2017-10-31		
	CHECKED			TITLE ACM Balder - Barco Adjustable Ceiling Mount	
	APPROVED				
DO NOT SCALE DRAWING				SIZE	A4
BREAK ALL SHARP EDGES AND REMOVE BURRS				DWG NO.	----
FIRST ANGLE PROJECTION	MATERIAL	FINISH		SCALE	1:6
	Aluminium	Natural Bead Blast Aluminium		WEIGHT	
				SHEET	1 of 1