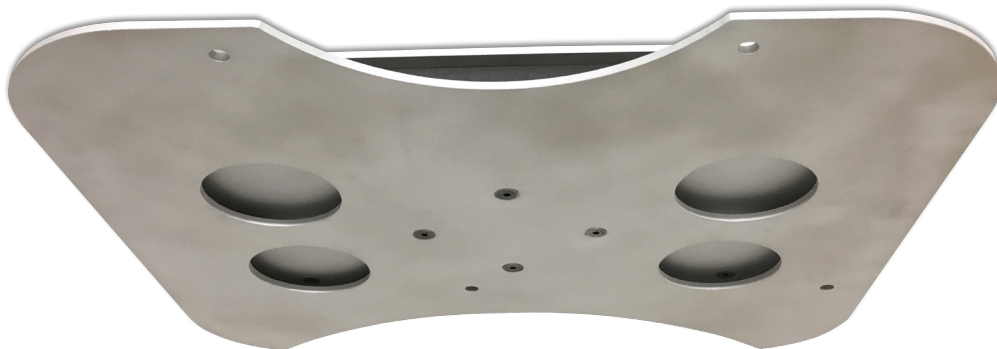


Adjustable Ceiling Mount

DT-ACM



Adjustable Ceiling Mount - Side view



Adjustable Ceiling Mount - Bottom view

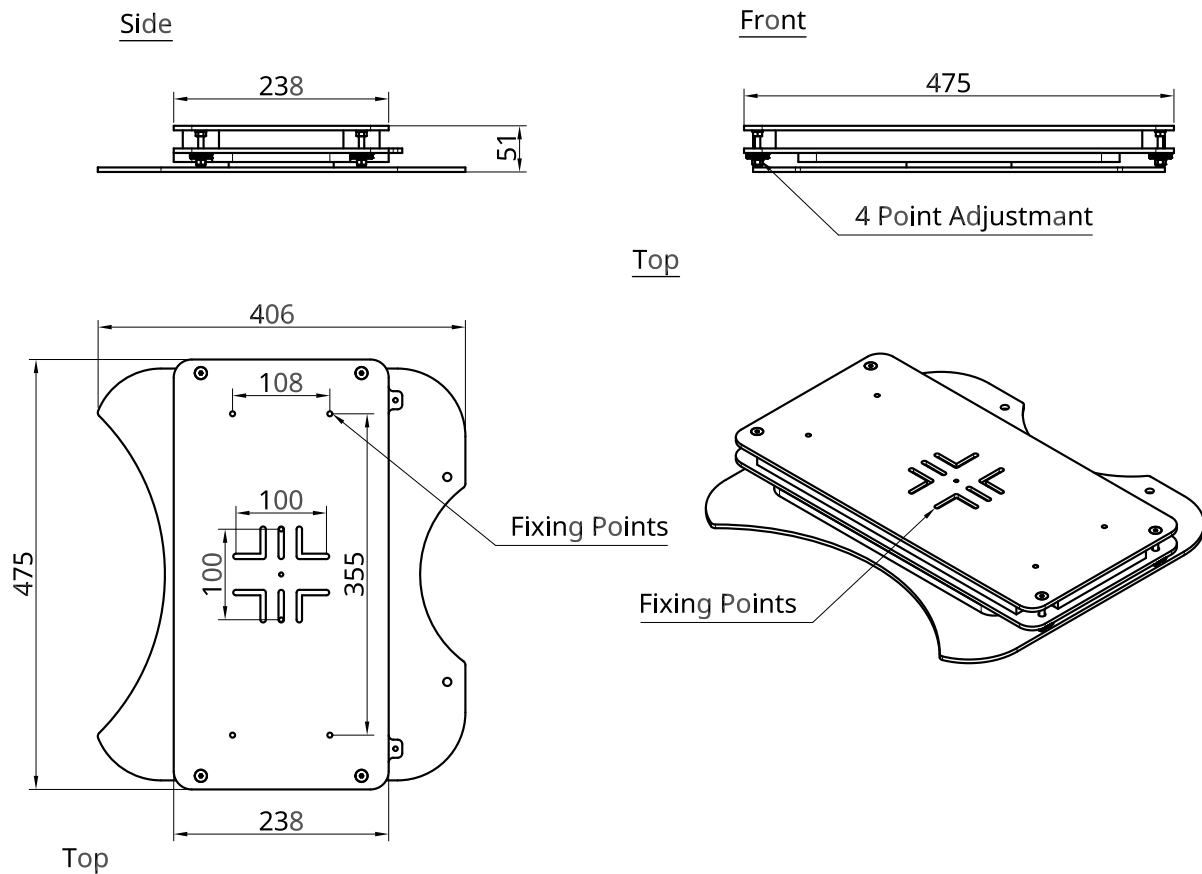
ADJUSTABLE CEILING MOUNT [DT-ACM] - ON CEILING ADJUSTABLE PROJECTOR MOUNTING BRACKET

DT Mounts Adjustable Ceiling Mount is an on ceiling projector mounting bracket featuring very low installation profile, flexible adjustment and vibration damping.

The Adjustable Ceiling Mount has an extremely low installation profile which allows the projector to be mounted close to the ceiling which minimise lost height and aesthetic impact.

The flexible alignment adjustment makes it straightforward to align the DT-ACM with the projector screen. Four corner adjustment allows correction for pitch and yaw and locking rotation adjustment is also provided.

The vibration damping within the adjustable ceiling mount is provided by a thick layer of open cell foam. This layer helps to reduce the visible impact of vibration caused by deep bass notes within the cinema.



Example Drawing shows VMM-UP for Barco Medea. All Mounts are custom made for the projector

DT Mounts is a division of Display Technologies, a British company specialising in advanced projector screens, mounting brackets and custom installation solutions. Our focus on the combination of technical performance and design for install, ensure that all DT Mounts meet the needs of both the client and the installer.

**MADE IN
BRITAIN** 